
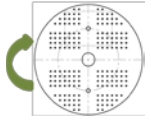
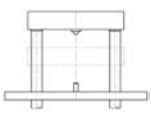
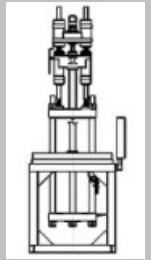




Model: FT-1600R2 (R3)

- ◆ Rotary Table
- ◆ Clamping force:165Ton
- ◆ Injection weight:250~390g
- ◆ Vertical clamping and vertical injection design
- ◆ 2 stations or 3 stations rotary table design, effective to increase production capacity and machine safety factor.

SPECIFICATION

		DESCRIPTION	UNIT	FT-1600R2 (R3)		
INJECTION UNIT		Screw Diameter	mm	φ40	φ45	φ50
		Maximum Injection Pressure	kg/cm ²	2573	2033	1646
		Theoretical Shot Volume	cm ³	270	342	422
		Maximum Shot Weight (PS)	g(oz)	250/8.8	316/11.1	390/13.8
		Injection Rate	cm ³ /sec	104	131	162
CLAMPING UNIT		Top Platen Size	mm	950x840		
		Rotary Table Diameter	mm	φ1400		
		Mold Size	mm	550x450(500x400)		
		Clamping Force	ton	165		
		Minimum Mold Thickness	mm	250/350		
		Opening Stroke	mm	300		
		Open Daylight	mm	550/650		
		Ejector Force	ton	4		
		Ejector Stroke	mm	125		
OTHERS		Hydraulic System Pressure	kg/cm ²	140		
		Oil Tank Volume	L	800		
		Electric Power	hp(kW)	25(18.5)		
		Barrel Heating Power	kW	10.7		
		Total Wattage	kW	29.2		
		Machine Dimensions (approx.)	m	3.6x1.8x3.9		
		Machine Weight (approx.)	t	7.2		